

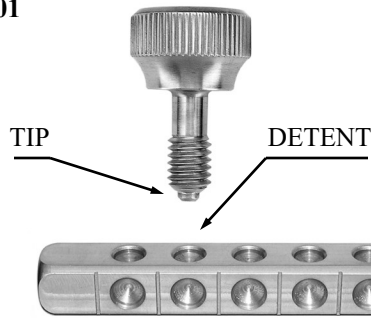
**LOCK KNOB INSTRUCTIONS:**

Lock Knob components consist of: Gearbox, Extender Bars and Coupler Tube.

The nonremovable Lock Knob is used to tighten components securely on the Rultract® Systems. The Lock Knob (Fig. 01) is threaded with a knurled surface for hand tightening. The tip of the knob is designed to fit into a detent of the square bar. The Lock Knob is retained with roll pins (see p. 05).

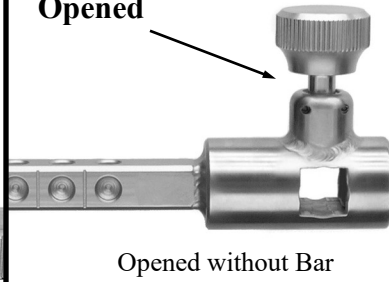
Back out (open) the nonremovable Lock Knob until it stops (Fig. 02). Slide the component onto square bar to desired location. The Lock Knob is used to secure component. To properly secure, tip of Lock Knob must completely enter the detent as you tighten. Note closed position of Lock Knob when attached to bar (Fig. 03).

Fig. 01



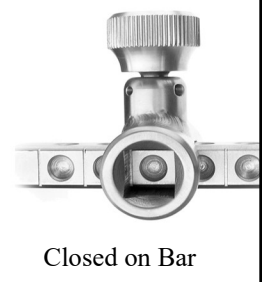
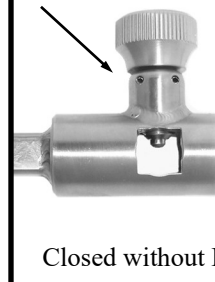
Lock Knob Opened

Fig. 02



Lock Knob Closed

Fig. 03



**EXTENDER BAR: #4100-39S**

To properly lock an Extender Bar in the selected position the tip of the Lock Knob must enter the detent as you tighten securely. Note Lock Knob opened (Fig. 02) and Lock Knob closed (Fig. 03).

**(Fig. 04): Horizontal Position Into Hub**

Back out nonremovable Lock Knob until it stops. With Lock Knob in vertical position slide hub onto post until it stops. Hand tighten knob securely.

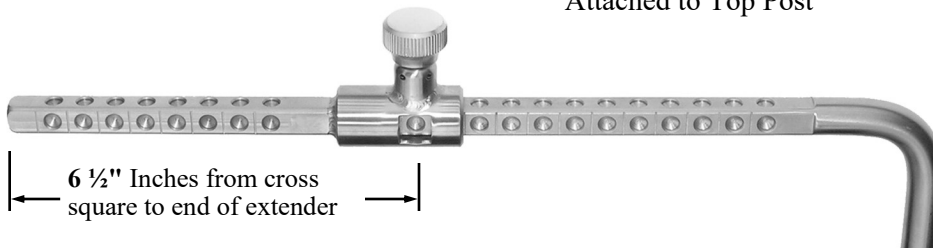
**(Fig. 05 & 06): Horizontal Position Thru Cross Square for Right Angle Extension**

Back out nonremovable Lock Knob until it stops. With Lock Knob in vertical position slide cross square onto post to desired location **over a detent**. Hand tighten knob securely. See Extender Bar End View Over Detent.

**CAUTION:** Lock Knob **must** be inserted in a detent for secure placement of accessories.

Fig. 04 Horizontal Position Into Hub

One Extender Bar Attached to Top Post



Two Extender Bars Attached to Top Post

Fig. 05



Horizontal Position Thru Cross Square for Right Angle Extension

Fig. 06



Extender Bar End View Over Detent

**ROTATING EXTENDER BAR: #4100-39TS**

The squared section of this bar rotates 360 degrees with positive locking every 12 degrees. To rotate, **loosen the attached Rotating Knob** by turning counter clockwise **until it stops**. The toothed sections are spring loaded to help separate the two halves. Once separated the squared section can be rotated freely. When the desired position is obtained, tighten the knob by turning clockwise. When tightened, the teeth mate and the unit is secure.

**(Fig 01) Rotating Vertical Position Thru Cross Square**

Back out nonremovable Lock Knob until it stops. With Lock Knob at side position slide cross square onto post to desired location **over a detent**. Hand tighten knob securely.

**(Fig 02) Right Angle Horizontal Position Into Hub**

Back out nonremovable Lock Knob until it stops. With Lock Knob in vertical position slide hub onto post until it stops. Hand tighten knob securely.

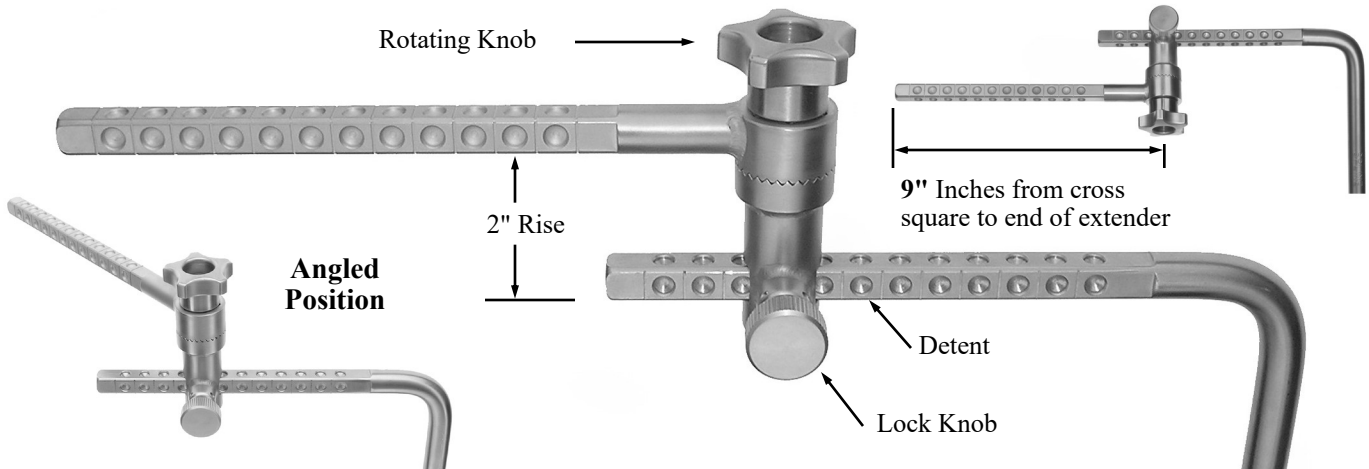
**(Fig 03) Horizontal Position Thru Cross Square**

Back out nonremovable Lock Knob until it stops. With Lock Knob in vertical position slide cross square onto post to desired location **over a detent**. Hand tighten knob securely.

**CAUTION:** Lock Knob **must** be inserted in a detent for secure placement of accessories.

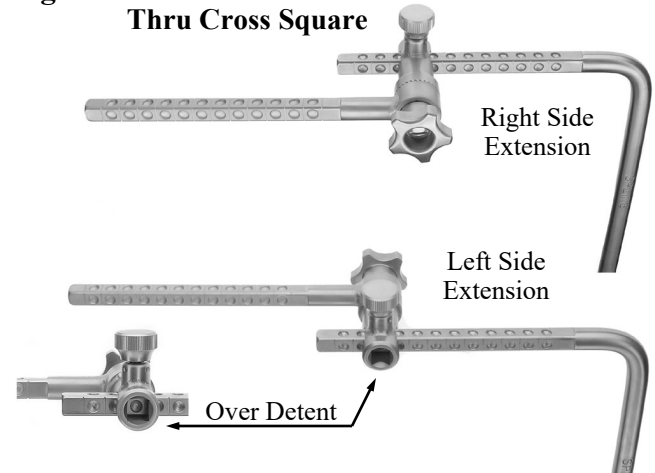
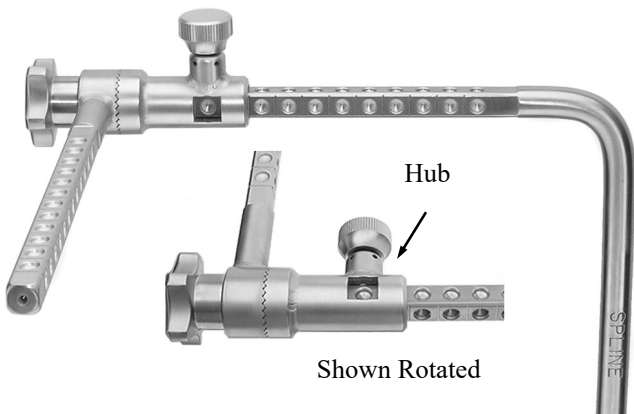
**Fig. 01 Rotating Vertical Position Thru Cross Square**  
**Gain two inches in height**

**Inverted Position**



**Fig. 02 Right Angle Horizontal Position Into Hub**

**Fig. 03 Horizontal Position Thru Cross Square**



**RISER EXTENDER BAR: #4100-39R**

**(Fig. 01) Vertical Position Thru Hub**

Back out nonremovable Lock Knob until it stops. With Lock Knob in vertical position slide hub onto post to desired location **over a detent**. Hand tighten knob securely.

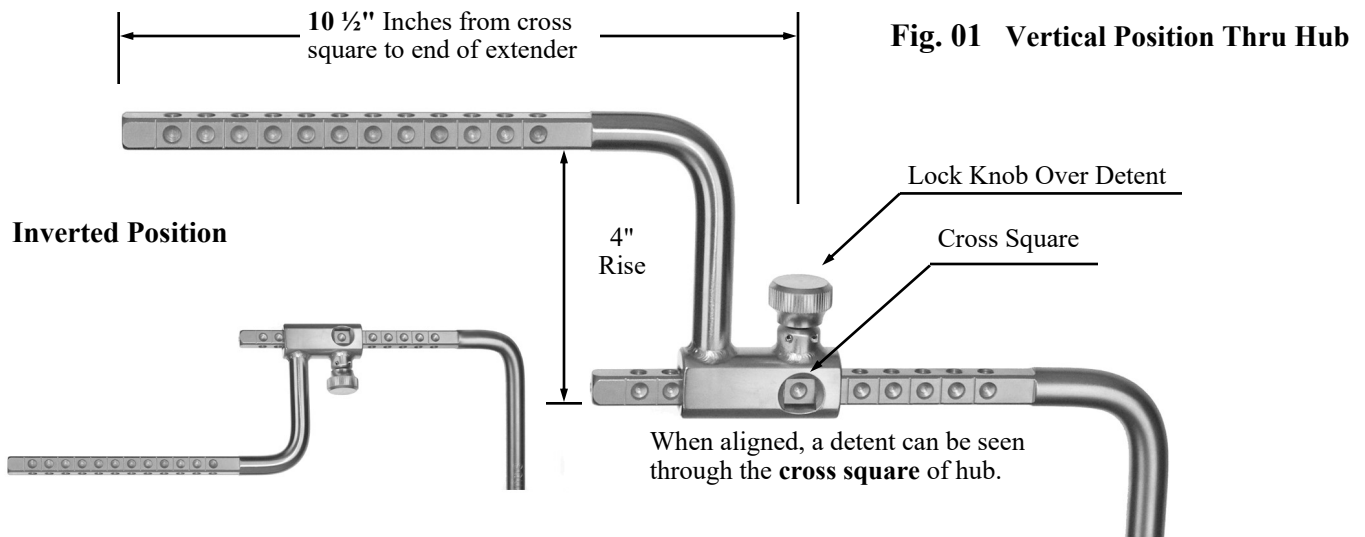
**(Fig. 02) Right Angle Vertical Position Thru Cross Square**

Back out nonremovable Lock Knob until it stops. With Lock Knob in vertical position slide cross square onto post to desired location **over a detent**. Hand tighten knob securely.

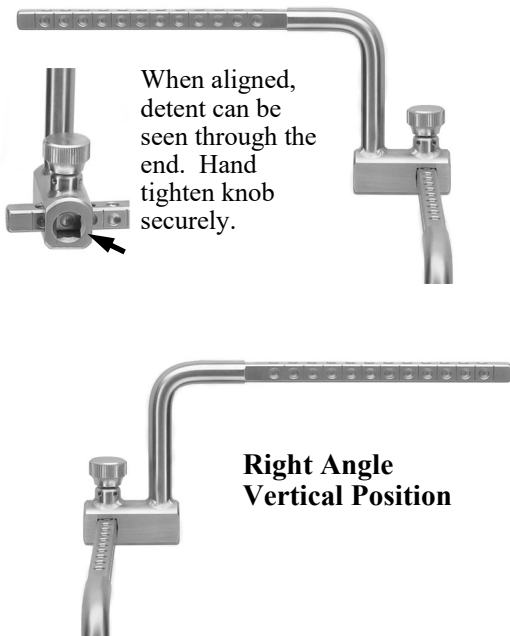
**(Fig. 03) Horizontal Position Thru Hub**

Back out nonremovable Lock Knob until it stops. With Lock Knob in the horizontal position slide hub onto post to desired location **over a detent**. Hand tighten knob securely.

**CAUTION:** Lock Knob **must** be inserted in a detent for secure placement of accessories.



**Fig. 02 Right Angle Vertical Position Thru Cross Square**



**Fig. 03 Horizontal Position Thru Hub**

